

# Series K8 directly operated solenoid valves

2/2-way - 3/2-way  
Normally Closed (NC) and Normally Open (NO)

2

CONTROL



- » Compact design
- » High performances
- » Manifold mounting
- » Long life

Thanks to their particular design these valves can be used in applications where very compact solutions are required as well as high performances. Series K8 is used to control actuators or very small devices and it is suitable for portable equipments thanks to low power consumption, reduced weight and dimensions.

Series K8 directly operated solenoid valves are available as 2/2 or 3/2-way either NC or NO versions.

## GENERAL DATA

### TECHNICAL FEATURES

Function	2/2 NC - 3/2 NC - 2/2 NO - 3/2 NO
Operation	direct acting poppet type
Pneumatic connections	manifold cartridge
Nominal diameter	0.5 - 0.7 mm
Nominal flow	see Kv
Kv (l/min)	0.08 - 0.15
Operating pressure	-1 ÷ 3 ... 7 bar
Operating temperature	0 ÷ +50°C
Media	filtered compressed air, unlubricated, according to ISO 8573-1 class 3.4.3, inert gas
Response time (ISO 12238)	ON <10 msec – OFF <10 msec
Installation	in any position

### MATERIALS IN CONTACT WITH THE MEDIUM

Body	brass - stainless steel - PBT technopolymer
Seals	FKM
Internal parts	stainless steel

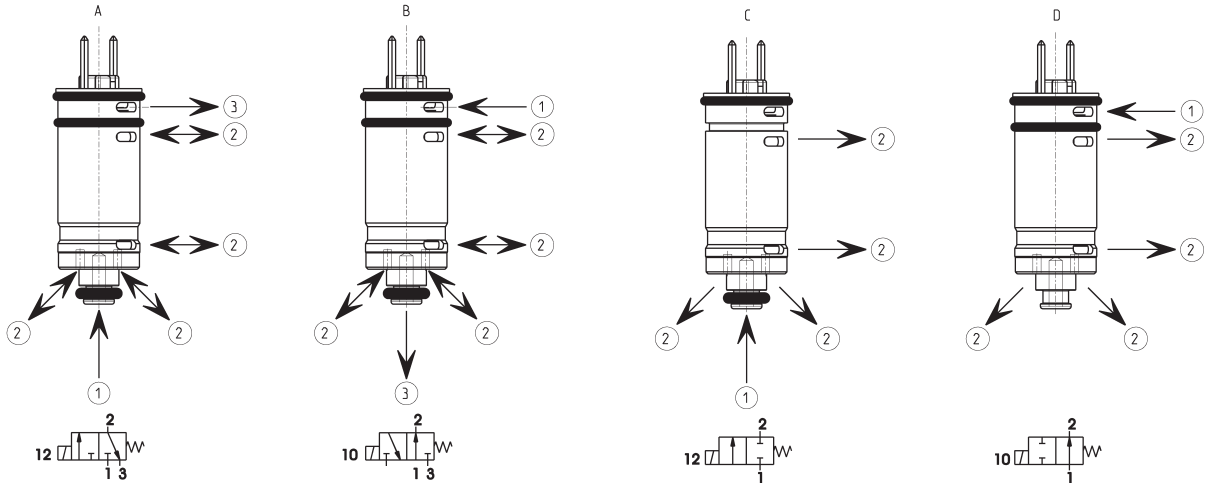
### ELECTRICAL FEATURES

Voltage	24 V DC - 12 V DC - 6 V DC - other voltages on demand
Voltage tolerance	±10%
Power consumption	0.6 W
Duty cycle	ED 100%
Electrical connection	2 Pin 0.5 x 0.5 spacing 4 mm
Protection class	IP00

Special versions available on demand

CODING EXAMPLE										
<b>K8</b>	<b>0</b>	<b>00</b>	<b>-</b>	<b>3</b>	<b>0</b>	<b>3</b>	<b>-</b>	<b>K</b>	<b>2</b>	<b>3</b>
<b>K8</b>	SERIES									
<b>0</b>	BODY DESIGN: 0 = single valve									
<b>00</b>	NUMBER OF POSITIONS: 00 = valve without seat									
<b>3</b>	NUMBER OF WAYS - FUNCTIONS: 0 = single base 3 = 3-way NC 4 = 3-way NO 5 = 2-way NC 6 = 2-way NO									
<b>0</b>	MATERIALS AND SEALS: 0 = poppet, FKM seals									
<b>3</b>	NOMINAL DIAMETER: 3 = Ø 0.5 mm (working pressure 1 ÷ 7 bar) 6 = Ø 0.5 mm (working pressure -1 ÷ 4 bar) 5 = Ø 0.7 mm (working pressure -1 ÷ 3 bar)									
<b>K</b>	MATERIALS: K = stainless steel body, brass cage									
<b>2</b>	ELECTRICAL CONNECTION: 2 = pin interface size 4 mm									
<b>3</b>	VOLTAGE: 1 = 6V DC (0.6 W) 2 = 12V DC (0.6 W) 3 = 24V DC (0.6 W)									

AVAILABLE FUNCTIONS



A = 3/2-way valve NC

B = 3/2-way valve NO

C = 2/2-way valve NC

D = 2/2-way valve NO

- 1 = supply
- 2 = inlet
- 3 = exhaust

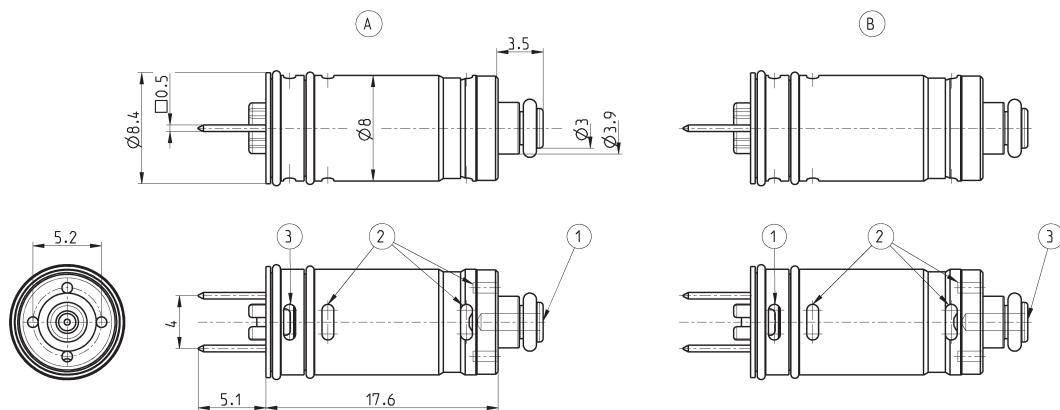
### 8 mm solenoid valve, 2/2 and 3/2-way NC (A) and NO (B)

\* = put in NUMBER OF WAYS - FUNCTIONS (see CODING EXAMPLE)

\*\* = put in VOLTAGE (see CODING EXAMPLE)



LEGEND:  
1 = supply  
2 = inlet  
3 = exhaust

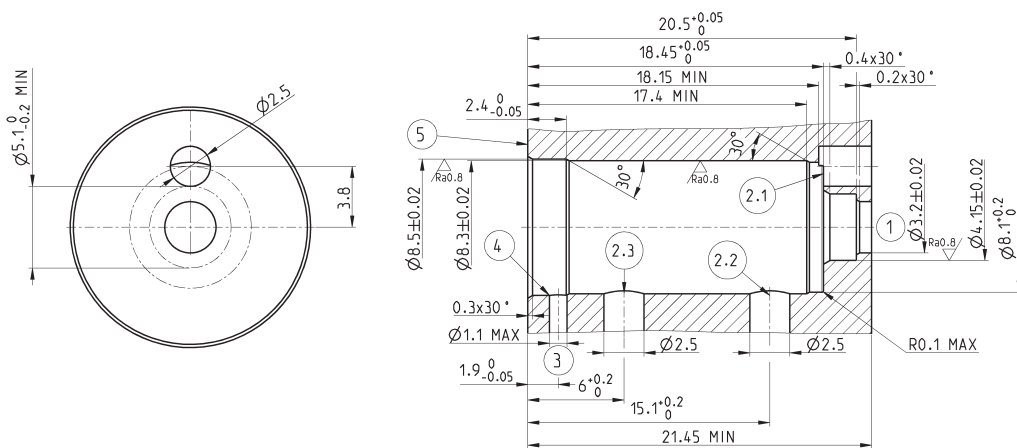


Mod.	Orifice Ø (mm)	Kv (l/min)	Min/max pressure (bar)
K8000-03-K2**	0.5	0.08	1 + 7
K8000-06-K2**	0.5	0.08	-1 + 4
K8000-05-K2**	0.7	0.15	-1 + 3

### 8 mm solenoid valve seat, 2/2 and 3/2-way NC and NO

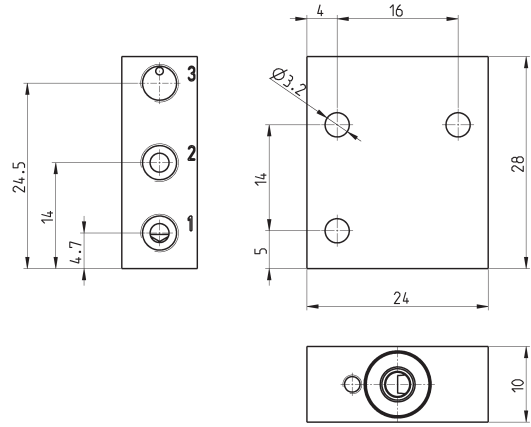
Note: better performances can be achieved if the valve seat holes are in line with the respective valve holes.

LEGEND:  
1 = supply  
2.1 = advised inlet for NC  
2.2 = advised inlet for NC  
2.3 = advised inlet for NO  
3 = exhaust  
4 = free from burrs  
5 = surface to be aligned with the upper surface of the valve reinforcement



Single body for Series K8 solenoid valve

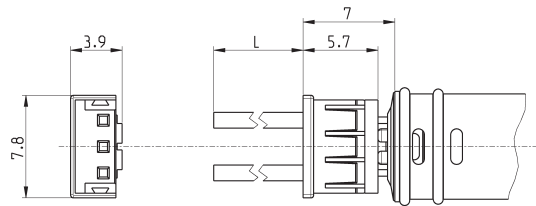
Material: anodized aluminium  
Pneumatic connections: M5 threads



Mod.  
**K8303/14C**

Connector Mod. 120-..

Cable section: 0.25 mm<sup>2</sup>  
Cable external diameter: 1.2 mm  
Material for the cable insulation: PVC



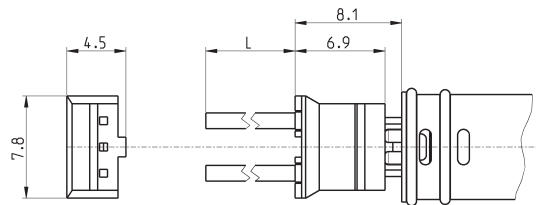
Mod.	description	colour	L = cable length (mm)	cable holding
<b>120-803</b>	crimped cable	white	300	crimping
<b>120-806</b>	crimped cable	white	600	crimping

Connector with flying leads Mod. 120-J803

Flying leads section: 0.25 mm<sup>2</sup>  
Flying lead external diameter: 1.2 mm  
Material for the flying leads insulation: PVC



**New**



Mod.	description	colour	L = cable length (mm)	cable holding
<b>120-J803</b>	crimped cable connector J	white	300	crimping